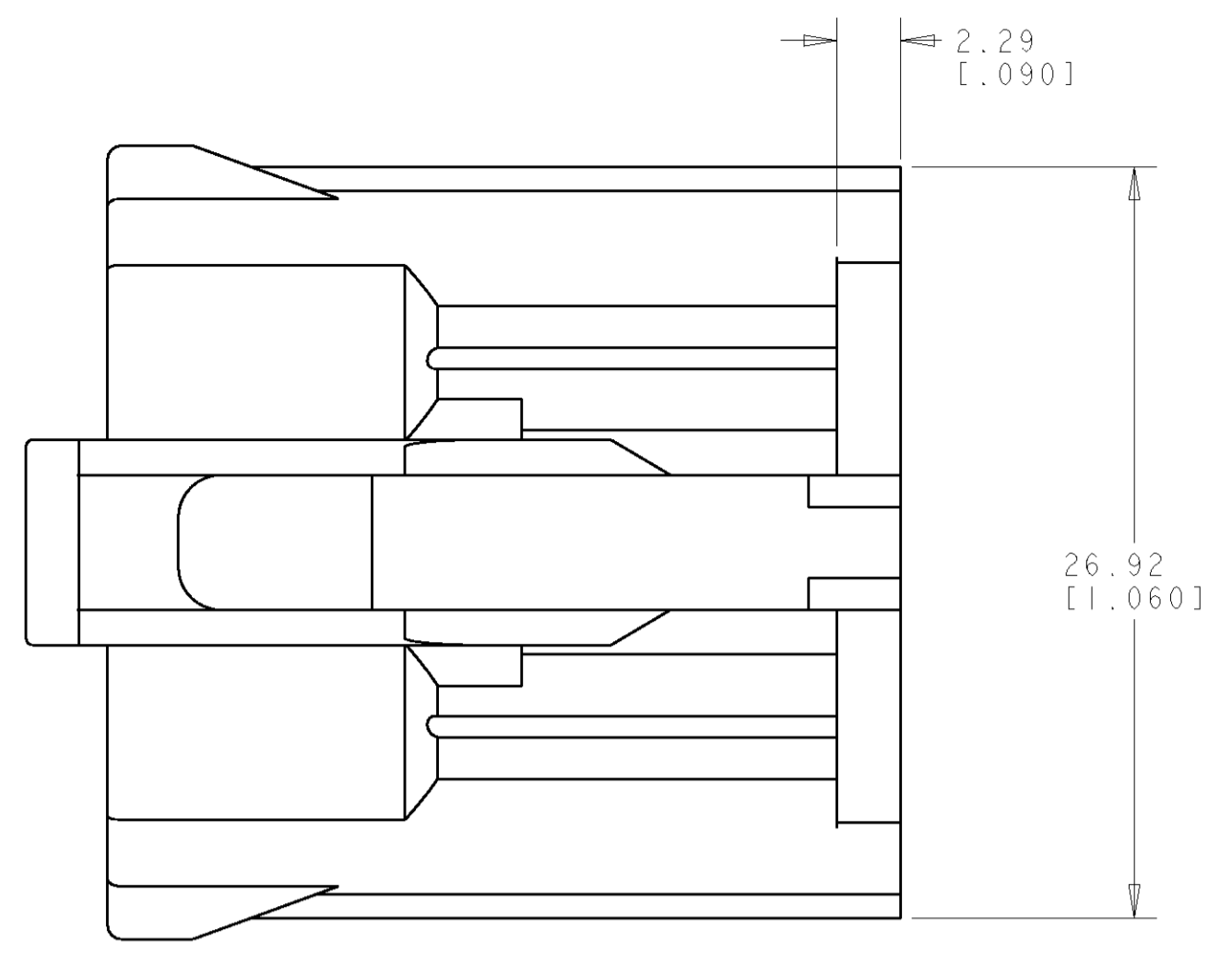
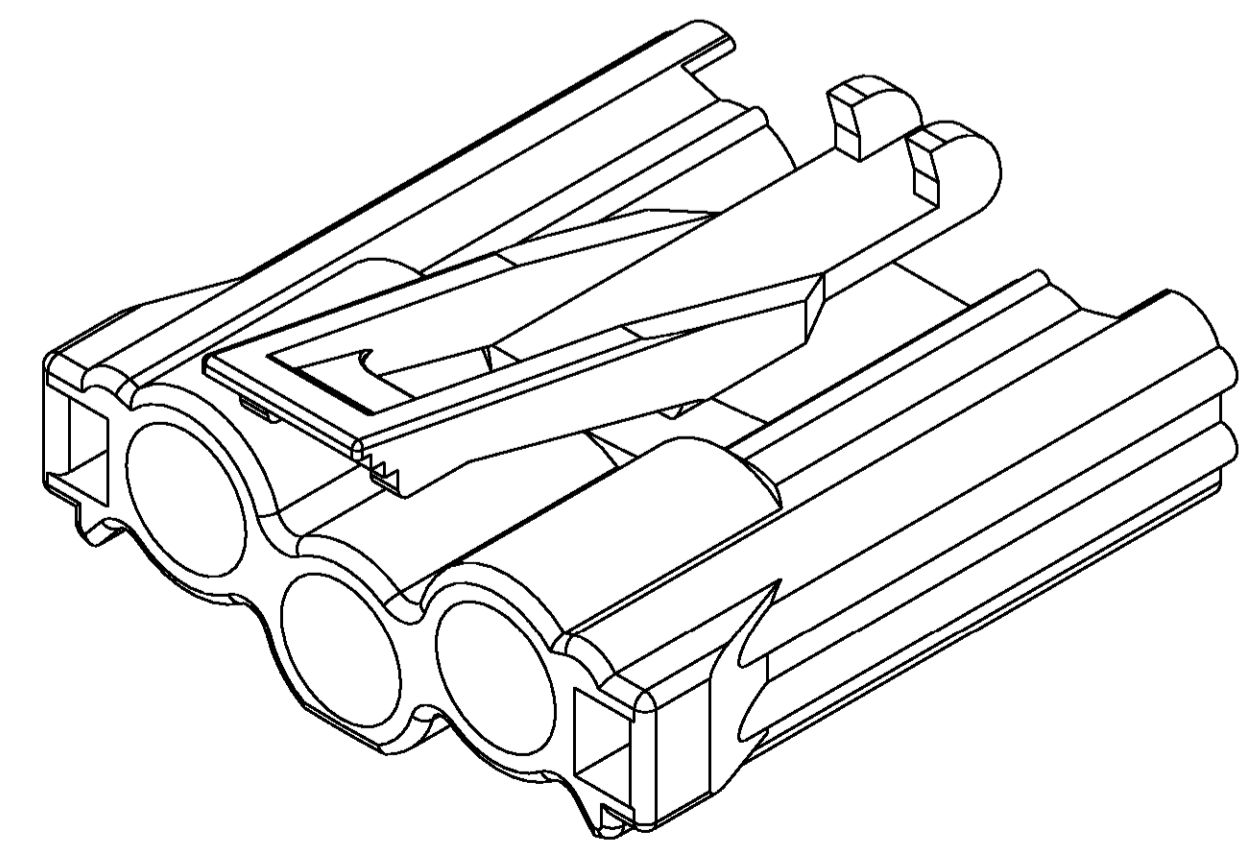
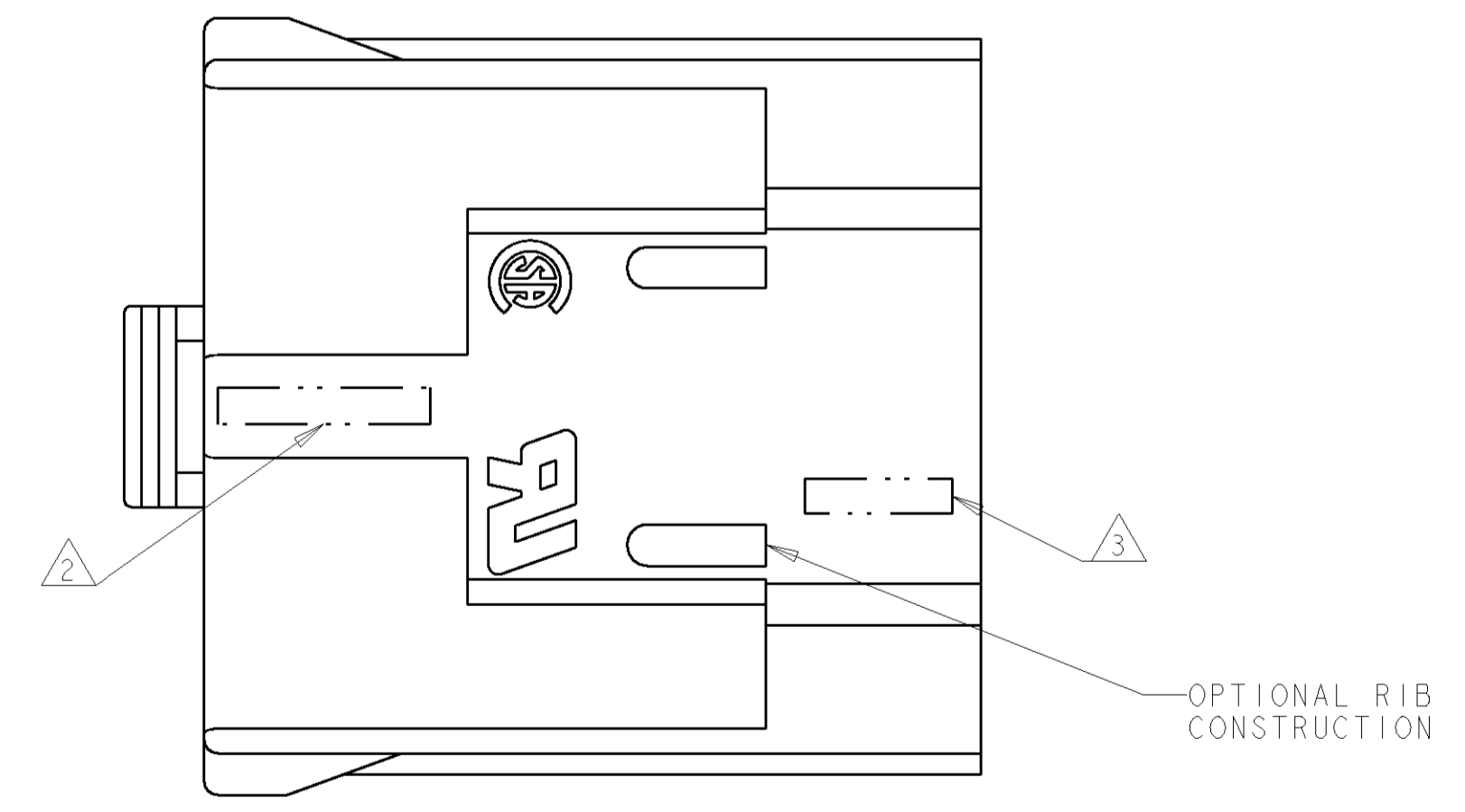
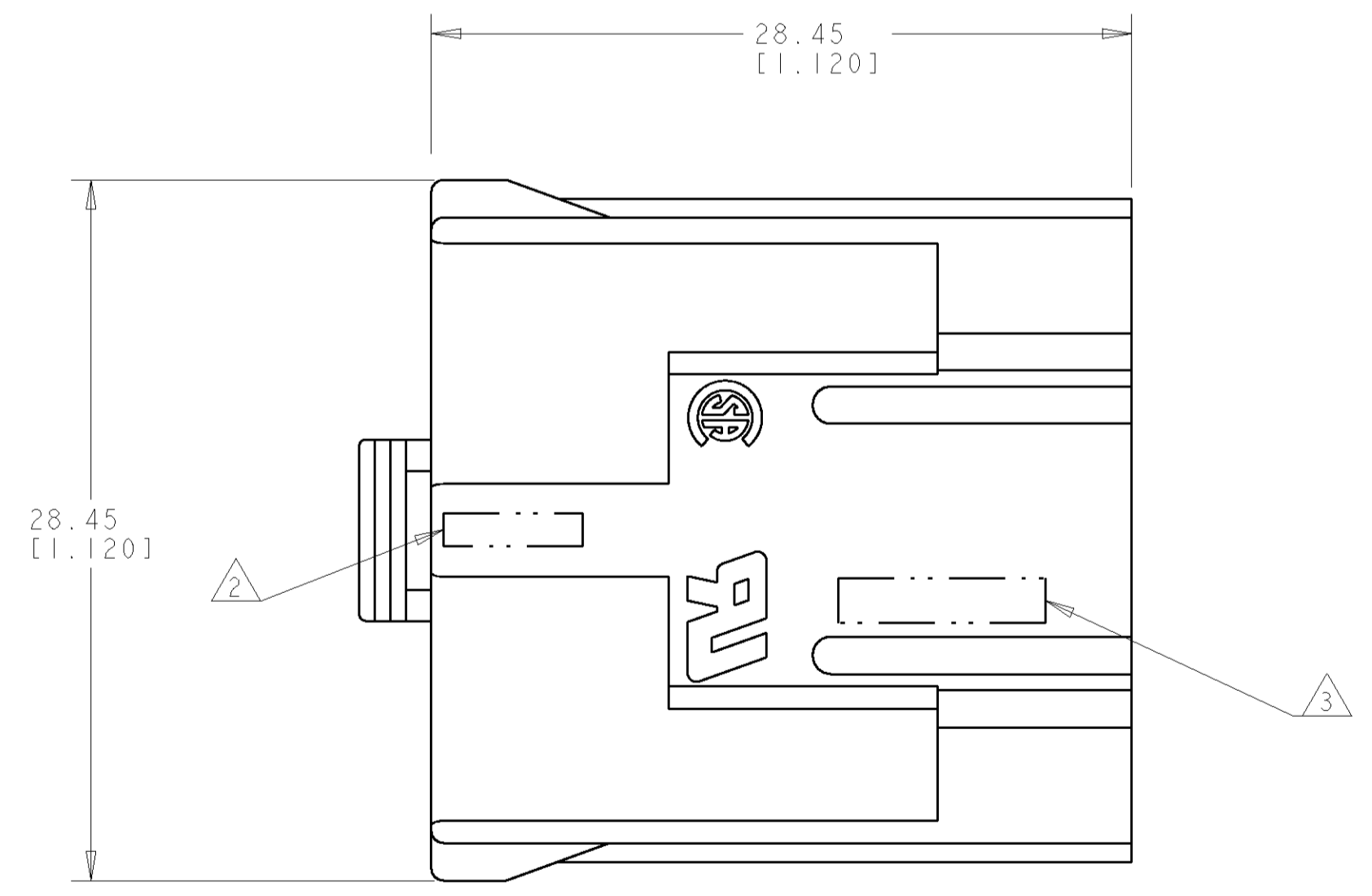
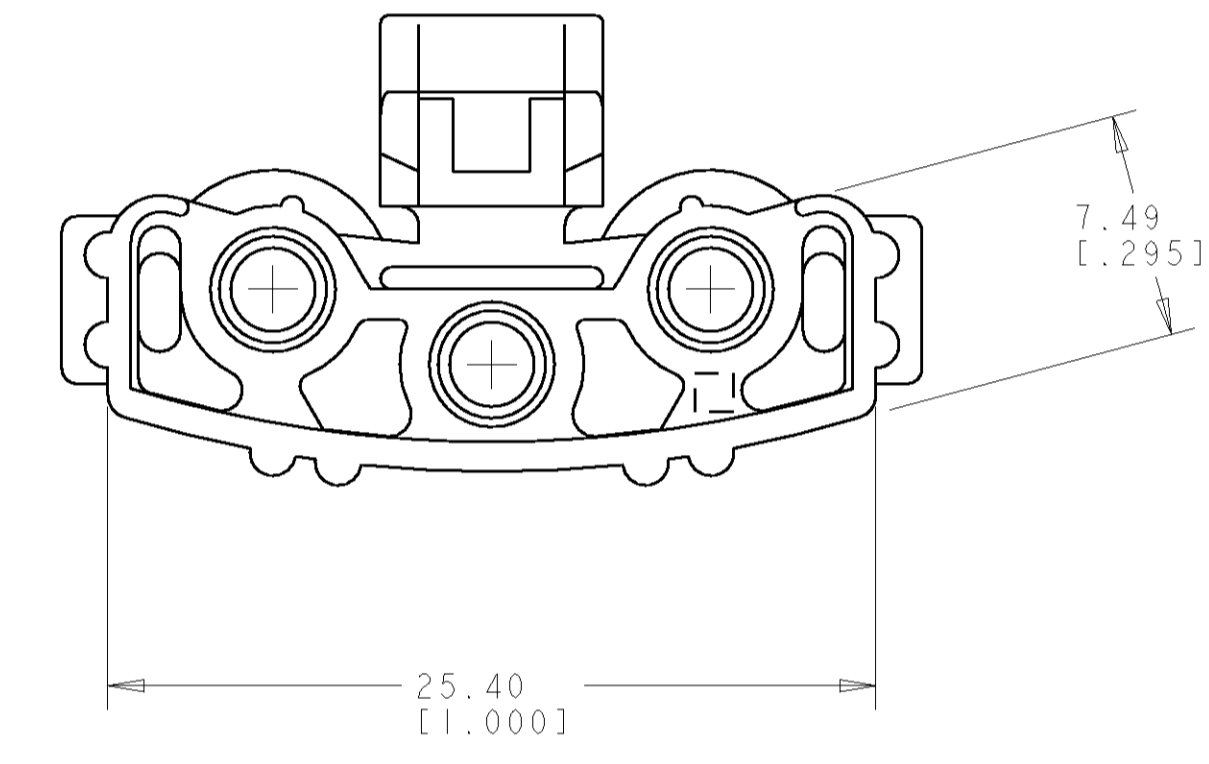
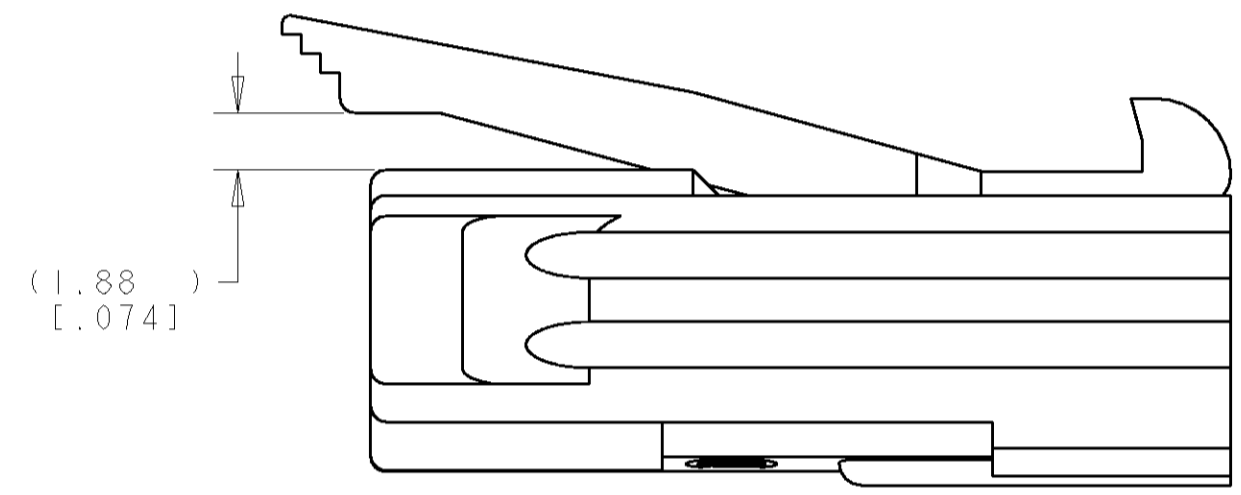
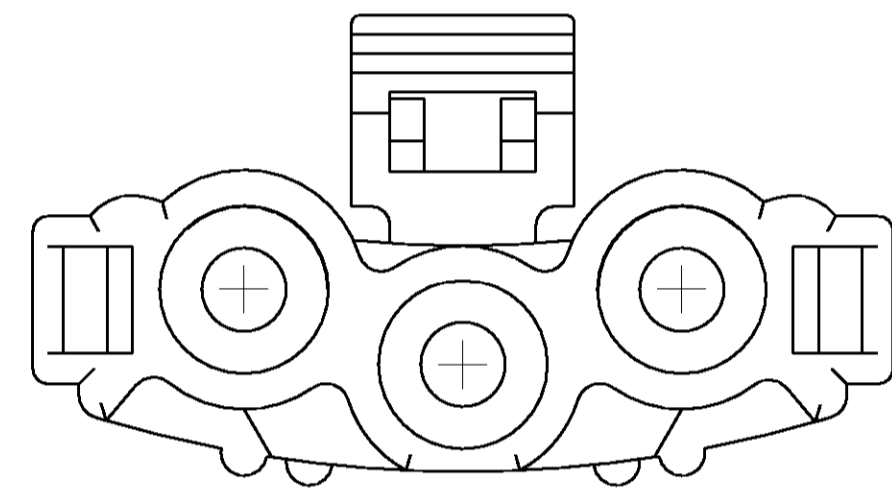


LOC		DIST		REVISIONS			
CM	00	P	LTR	DESCRIPTION	DATE	DWN	APVD
		H		REVISED PER 0638-0996-04	28OCT04	KW	SR



1. THE MATING CONNECTOR MUST BE BASED ON THE DESIGN SPECIFICATIONS ON THIS DRAWING TO ENSURE OPTIMUM MATING CONDITIONS.

- 2 TRADEMARK LOCATION (AMP OR TYCO).
- 3 MANUFACTURING LOCATION ID (OPTIONAL).



770855-1  
PART NUMBER

METRIC

DIMENSIONS: mm [INCHES]		TOLERANCES UNLESS OTHERWISE SPECIFIED: 0 PLC ± 1 PLC ± 2 PLC ±0.13 [0.005] 3 PLC ± 4 PLC ± ANGLES ±30°		DWN R. WHITAKER 13NOV2003 CHK S. RIDGILL 13NOV2003 APVD S. RIDGILL 13NOV2003		<b>tyco</b> Tyco Electronics Harrisburg, PA 17105-3608	
MATERIAL: NYLON, UL94V-2 NATURAL FINISH: -		WEIGHT: - CUSTOMER DRAWING		NAME: HOUSING, 3 POSITION, FAN MOTOR CONNECTOR, UNIVERSAL MATE-N-LOK™ SIZE: A   CAGE CODE: 00779   DRAWING NO: C=770855		RESTRICTED TO: - SCALE: 4:1   SHEET: 1 OF 1   REV: H	